


<b>ROADWAY DC</b> <b>RMCT</b> SOLAR LED <span style="color: red; border: 1px solid red; border-radius: 50%; padding: 2px;">NEW</span>	Cat.#		Approvals	
	Job	Type		

**SPECIFICATIONS**

**Intended Use:**

The LED RM unit is used with Hubbell Lighting's solar lighting package. This DC unit is powered by the solar panel and battery that is custom designed for your location. Typical applications include roadway, parking, area and perimeter lighting.

**Features:**

- Solid State/Light Emitting Diode (LED) light source
- 12V DC electronic dimming driver(s)
- Die-cast aluminum housing with multiple pole and surface mounting configurations
- Lektrocote® finish with 2 standard and custom colors available
- IP-65 LED light engine assembly and driver(s)

**Construction:**

Die-cast aluminum housing and doors provide light weight, yet durable protection, A driver door allows easy access for both mounting and wiring

**Optics/Electrical**

**LED:**

- A 30LED light engine provides standard IES distributions of Type II, III, IV, V square with up to 86 LPW efficiency
- Each LED has individual optical lens so every source contributes to the same IES pattern

**Electrical:**

Units are available in 35w, 50w, and 70w configurations; 12V DC input current (see performance data table for details)

**Operating Temperature:**

Units are designed to operate from -35° C to 40° C ambient

**Installation:**

RM fixtures feature a twin clamp mounting to either 2 3/8" OD or 1 5/8" OD pipe. A center fulcrum allows leveling of +or- 5 degrees by clamp adjustment. A 'bird shield' is included on all fixtures. Fixtures are capable of 3G installations. Suitable for use in wet locations.

**Warranty:**

Five year limited warranty (for more information visit: <http://www.hubbelloutdoor.com/resources/warranty/>)

**PRODUCT IMAGE(S)**



**DIMENSIONS**



	A	B	C
<b>RMCT</b>	6.75"	13"	29.75"
	171 mm	330 mm	756 mm

**CERTIFICATIONS/LISTINGS**



**ORDERING INFORMATION** (Must be ordered with Hubbell Lighting solar power assembly and pole)

ORDERING EXAMPLE: RMCT-30L-D-5K-2-035-M51

RMCT	-	30L	-	D	-		-		-		-		
SERIES		NUMBER OF LEDs		VOLTAGE		CCT		IES DISTRIBUTION		DRIVE CURRENT		FINISH	
RMCT	Cut-off top mounted driver	30L	30 LEDs	D	12V DC	4K	4000K nominal	2	Type II	035	350 mA (35w)	M51	Bronze
						5K	5000K nominal	3	Type III	052	525 mA (50w)	M53	Gray
								4	Type IV	070	700 mA (71w)		
								5	Type V				



Hubbell Outdoor Lighting • 701 Millennium Boulevard • Greenville, SC 29607 • Phone: 864-678-1000  
 Due to our continued efforts to improve our products, product specifications are subject to change without notice.

© 2012 HUBBELL OUTDOOR LIGHTING, All Rights Reserved • For more information visit our website: [www.hubbelloutdoor.com](http://www.hubbelloutdoor.com) • Printed in USA

RMCTSOLAR-SPEC 4/12

**PHOTOMETRICS**

Catalog Number	IES Report
RMCT-30L-D-5K	RMCT-30L-D-5K.IES

**ELECTRICAL DATA**

# OF LEDES	DRIVE CURRENT (mA)	INPUT VOLTAGE (V)	SYSTEM POWER (w)	CURRENT (Amps)
30	(350mA)	12	35	2.8
	(525mA)	12	50	4.2
	(700mA)	12	69	5.8

**PROJECTED LUMEN MAINTENANCE**

OPERATING HOURS	TM-21-11 L93					
	0	25,000	45,600	50,000	100,000	L70 290,000
Lumen Maintenance Factor	1.0	-	.93	-	-	.70

Data references the extrapolated performance projections for the RMCT-30L-D-5K base model in a 40°C ambient based on 10,000 hours of LED testing per IESNA LM-80-08.

**PERFORMANCE DATA**

# OF LEDES	DRIVE CURRENT	DIST. TYPE	CCT	LUMENS	B BACKLIGHT	U UPLIGHT	G GLARE	LPW	
30	350mA	2	4000K	2418	1	0	1	72	
			5000K	2678	1	0	1	80	
		3	4000K	2446	1	0	1	73	
			5000K	2709	1	0	1	81	
		4	4000K	2490	1	2	1	74	
			5000K	2758	1	2	1	82	
		5	4000K	2618	2	1	1	78	
			5000K	2899	2	1	1	86	
		525mA	2	4000K	3399	1	0	1	69
				5000K	3764	1	0	1	77
	3		4000K	3438	1	0	1	70	
			5000K	3808	1	0	1	78	
	4		4000K	3316	1	1	1	68	
			5000K	3673	1	1	1	75	
	5		4000K	3679	3	1	1	75	
			5000K	4074	3	1	1	83	
	700mA		2	4000K	4171	1	0	1	61
				5000K	4619	1	0	1	68
		3	4000K	4220	1	0	1	62	
			5000K	4673	1	0	1	69	
		4	4000K	4070	1	1	2	60	
			5000K	4507	1	1	2	66	
		5	4000K	4515	3	1	1	66	
			5000K	5000	3	1	1	73	

Lumen values are from photometric tests performed in accordance with IESNA LM-79-08.

**LUMINAIRE AMBIENT TEMPERATURE FACTOR (LATF)**

AMBIENT TEMPERATURE		LUMEN MULTIPLIER
0° C	32° F	1.02
10° C	50° F	1.01
20° C	68° F	1.00
25° C	77° F	1.00
30° C	86° F	1.00
40° C	104° F	0.99
50° C	122° F	0.98

Use these factors to determine relative lumen output for average ambient temperatures from 0-50°C (32-122°F).



## POLE & MOUNTING BRACKET INFORMATION

### POLE FEATURES: (Ordered Separately)

- Round Straight Steel (RSS) construction standard. Round Straight Aluminum (RSA) available. Consult factory for engineering design assistance
- Anchor base installation standard, direct embedment available
- One-piece construction shaft
- Side arm mounting standard
- Ground lug standard
- Galvanized anchor bolts and template included for anchor base installation (4-bolt design)
- Square base cover standard
- Gasketed hand hole cover standard (3"x5") at pole base
- Lektrocote® finish with 2 standard and custom colors available

Pole Selection	Catalog Number	Pole Ht.		Nominal Shaft Dim.	Wind Load Rating <sup>1</sup>				Wall Thick.	Bolt Circle (Sug.)	Bolt Circle	Bolt Sq.	Base Plate (sq.)	Anchor Bolt Size	Bolt Prj.	Pole Wt (lbs)
		ft	m		70 MPH	80 MPH	90 MPH	100 MPH								
<b>Fixture mounting height 14'</b>																
	<b>RSS-18-50-7-SA6-XX</b>	18	5.49	5"	21.3	16.0	12.6	10.1	.179"	11"	8 - 11"	5.7 - 7.7"	10.25 x 1"	3/4 x 30 x 3"	4"	190
	<b>RSS-18-60-3-SA6-XX</b>	18	5.49	6"	45.0	39.0	29.7	24.0	.259"	11"	9 - 11"	6.4 - 7.7"	10.25 x 1"	3/4 x 30 x 3"	4"	322
<b>Fixture mounting height 16'</b>																
	<b>RSS-20-50-7-SA6-XX</b>	20	6.10	5"	18.2	13.5	10.5	8.4	.179"	11"	8 - 11"	5.7 - 7.7"	10.25 x 1"	3/4 x 30 x 3"	4"	210
	<b>RSS-20-60-3-SA6-XX</b>	20	6.10	6"	40.0	32.0	26.0	21.0	.259"	11"	9 - 11"	6.4 - 7.7"	10.25 x 1"	3/4 x 30 x 3"	4"	322
<b>Fixture mounting height 18'</b>																
	<b>RSS-22-50-7-SA6-XX</b>	22	6.71	5"	15.5	11.3	8.8	7.0	.179"	11"	8 - 11"	5.7 - 7.7"	10.25 x 1"	1 x 36 x 4"	4"	260
	<b>RSS-22-60-3-SA6-XX</b>	22	6.71	6"	37.0	28.7	22.7	18.4	.259"	11"	9 - 11"	6.4 - 7.7"	10.25 x 1"	1 x 36 x 4"	4"	399
<b>Fixture mounting height 21'</b>																
	<b>RSS-25-50-7-SA6-XX</b>	25	7.62	5"	12.3	8.8	6.7	5.2	.179"	11"	8 - 11"	5.7 - 7.7"	10.25 x 1"	1 x 36 x 4"	4"	260
	<b>RSS-25-60-3-SA6-XX</b>	25	7.62	6"	31.0	24.0	19.0	15.3	.259"	11"	9 - 11"	6.4 - 7.7"	10.25 x 1"	1 x 36 x 4"	4"	399

<sup>1</sup> Allowable EPA with 1.3 gust factor; To determine maximum pole loading weight, multiply allowable EPA by 30 lbs; Example: RSS-20-40-3 pole in 80 MPH zone = 240 lbs (8.0 x 30); Published allowable EPA values based upon calculations of Spaulding Lighting; Allowable EPA values for projects requiring AASHTO methodology are available upon request

Note: Factory supplied template must be used when setting anchor bolts; Hubbell Lighting will deny any claim for incorrect anchorage placement resulting from failure to use factory supplied template and anchor bolts

ORDERING EXAMPLE: **RSS-18-50-7-** SA6 - DB

MOUNTING TYPE	FINISH
<b>SA6</b> Solar PV pole, single arm #6 arm hole pattern for ARM16 and RA series mast arms <sup>1</sup>	<b>DB</b> Bronze
	<b>GR</b> Gray

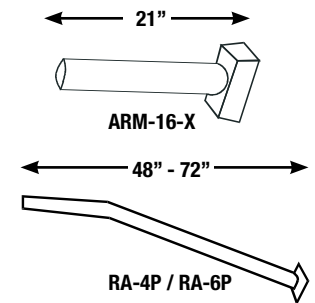
<sup>6</sup> = ARM-16 and RA series arms

<sup>1</sup> Round pole adapter required. Order separately

### BRACKETS & ADAPTERS

Bracket Selection	Catalog Number	Description	Color
	<b>ARM-16-1<sup>1</sup></b>	21" Straight horizontal mast arm, 2 3/8" OD	Dark Bronze
	<b>ARM-16-3<sup>1</sup></b>	21" Straight horizontal mast arm, 2 3/8" OD	Gray
	<b>RA-4P-M51-W<sup>1</sup></b>	48" upswept horizontal mast arm, 2 3/8" OD with 13 1/4" upsweep	Dark Bronze
	<b>RA-4P-M53-W<sup>1</sup></b>	48" upswept horizontal mast arm, 2 3/8" OD with 13 1/4" upsweep	Gray
	<b>RA-6P-M51-W<sup>1</sup></b>	72" upswept horizontal mast arm, 2 3/8" OD with 21 7/8" upsweep	Dark Bronze
	<b>RA-6P-M53-W<sup>1</sup></b>	72" upswept horizontal mast arm, 2 3/8" OD with 21 7/8" upsweep	Gray
	<b>RSD-05-1</b>	Round pole adapter for ARM & RA Series Mast Arms (nominal 5-6")	Dark Bronze
	<b>RSD-05-3</b>	Round pole adapter for ARM & RA Series Mast Arms (nominal 5-6")	Gray

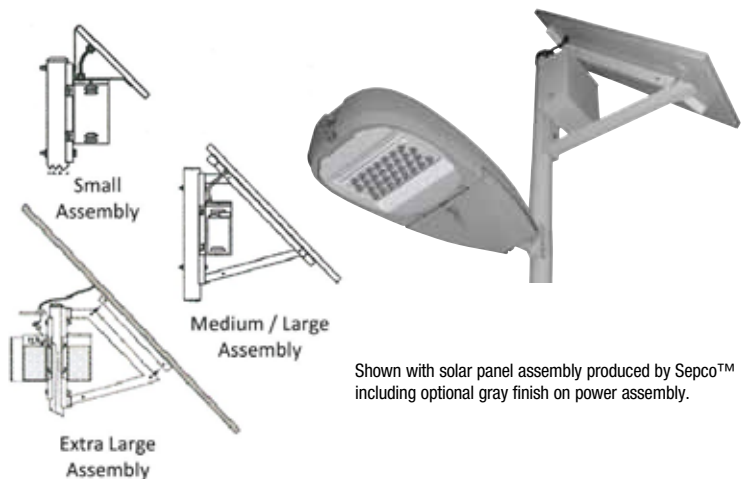
<sup>1</sup> Round pole adapter required. Order separately



## SOLAR ELECTRIC POWER INFORMATION

### SOLAR ELECTRIC POWER ASSEMBLY FEATURES: (Ordered Separately)

- The solar electric power assembly features one to five solar panel(s) mechanically fastened to the aluminum power bracket. Bracket and power assembly field installed directly to minimum 5" OD round pole or wall
- The multi Amp hour GEL battery/batteries (1-4) are contained within a vented aluminum battery box (1-2) and includes a wiring harness and control electronics (5-7 years battery life expectancy)
- There are multiple controllers to choose for different types of applications such as dusk-to-dawn activated, motion detector, etc.
- The systems are built for easy installation with quick connect terminals and can be mounted to a wall, roof or pole
- Every system is available to produce DC or AC power depending on the needs of the device
- Meets AASHTO 150 mph wind force ratings
- Powder coating and custom design available



Shown with solar panel assembly produced by Sepco™ including optional gray finish on power assembly.



Hubbell Outdoor Lighting • 701 Millennium Boulevard • Greenville, SC 29607 • Phone: 864-678-1000

Due to our continued efforts to improve our products, product specifications are subject to change without notice.

Outdoor Lighting

© 2012 HUBBELL OUTDOOR LIGHTING, All Rights Reserved • For more information visit our website: [www.hubbelloutdoor.com](http://www.hubbelloutdoor.com) • Printed in USA

RMCTSOLAR-SPEC 4/12